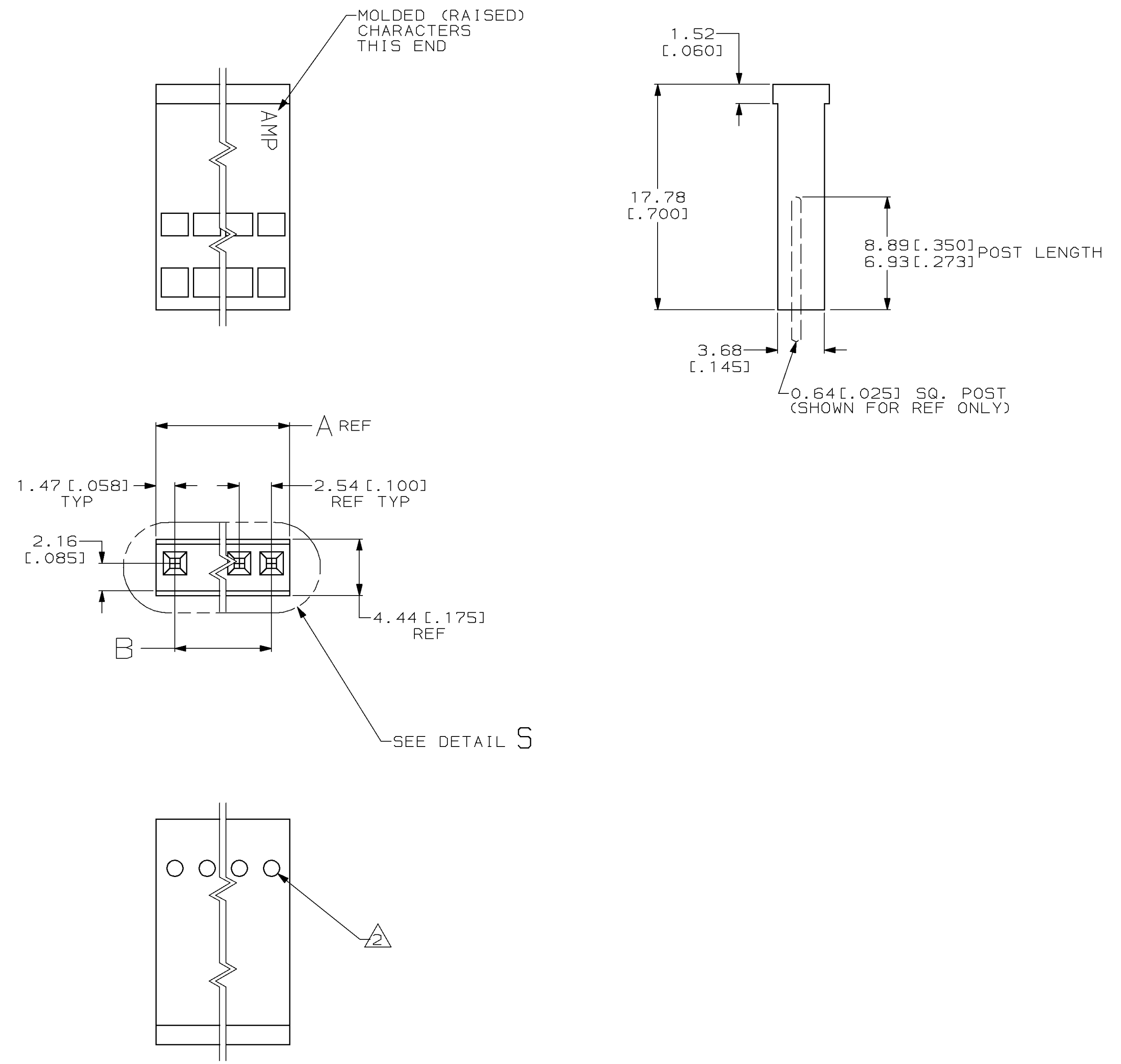
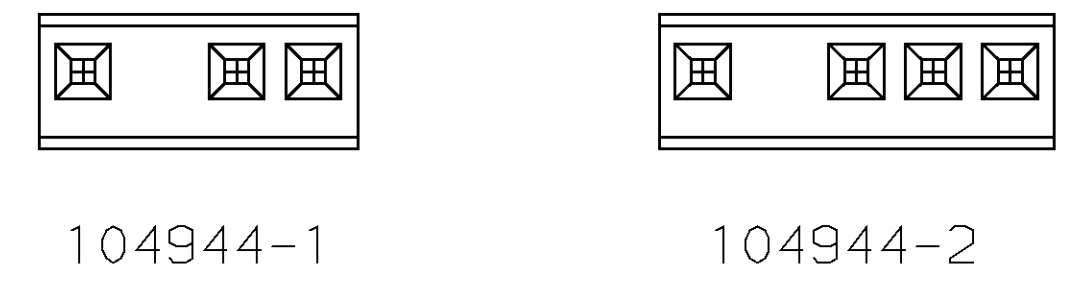


LOC		DIST		REVISIONS			
P	LYR	DESCRIPTION	DATE	DMN	APVD		
AD	39	0	RELEASED	07-AUG-96	EB SS		
		A	REV PER 0310-0380-97	24-SEP-97	EB SS		



- △ HOUSING: GLASS FILLED POLYESTER.
- △ CORE PIN SUPPORT HOLES ARE OPTIONAL AT MOLD VENDORS DISCRETION AND MAY BE ROUND OR SQUARE.



DETAIL S

10.16 [.400]	13.12 [.516]	5	104944-2
7.62 [.300]	10.57 [.416]	4	104944-1
B	A	NO OF POSN	PART NUMBER

THIS DRAWING IS A CONTROLLED DOCUMENT.

DW	E. BRANDBERG	07-AUG-96	<b>AMP</b>	AMP Incorporated Harrisburg, PA 17105-3508
CHK	S. SHUEY	07-AUG-96		
APP'D	S. SHUEY	07-AUG-96	NAME	
DIMENSIONS:			PRODUCT SPEC	
TOLERANCES UNLESS OTHERWISE SPECIFIED:			APPLICATION SPEC	
0 PLC	±		HOUSING-LOCKING CLIP, .025 SQ. POST, .100 CENTERS (CLOSE END), SINGLE ROW	
1 PLC	±		SIZE	
2 PLC	±0.13(.005)		CAGE CODE	
3 PLC	±		DRAWING NO	
4 PLC	±		WEIGHT	
ANGLES	±		SCALE	
FINISH			SHEET	
MATERIAL			REV	

CUSTOMER DRAWING